

Technical data sheet

Centre suspension for cable tray, on US 3 suspended support

Item number: 6358970



Centre suspension for cable trays, for fastening on US 3 suspended support.

Order fastening material separately.

The base flange is screwed into the matching tray width and the adapter piece is mounted on the US 3 suspended support.



St Steel

G Electrogalvanized

Master data

Item number	6358970
Type	MAH US3 100 G
Description 1	Centre suspension
Description 2	for US 3 support
Manufacturer	OBO
Dimension	B100mm
Material	Steel
Surface	Electrogalvanized
Surface standard	EN ISO 19598 / EN ISO 4042
Smallest sales unit	1
Unit of quantity	Piece
Weight	35.4 kg
Weight unit	kg/100 pc.

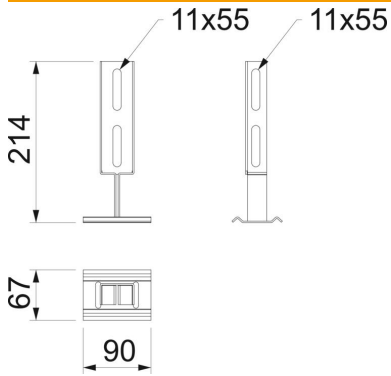
Technical data sheet

Centre suspension for cable tray, on US 3 suspended support

Item number: 6358970



Dimensions



Width	100 mm
Dimension B	90 mm

Technical data

Version for	Miscellaneous
Maintain electrical functions for width min.	no
Suitable for mesh cable tray	no
Suitable for cable ladder	no
Suitable for cable tray	yes
Suitable for tray/ladder width	100 mm
Material thickness	2 mm
Tray fastening	Screw-on
Adjustable	yes